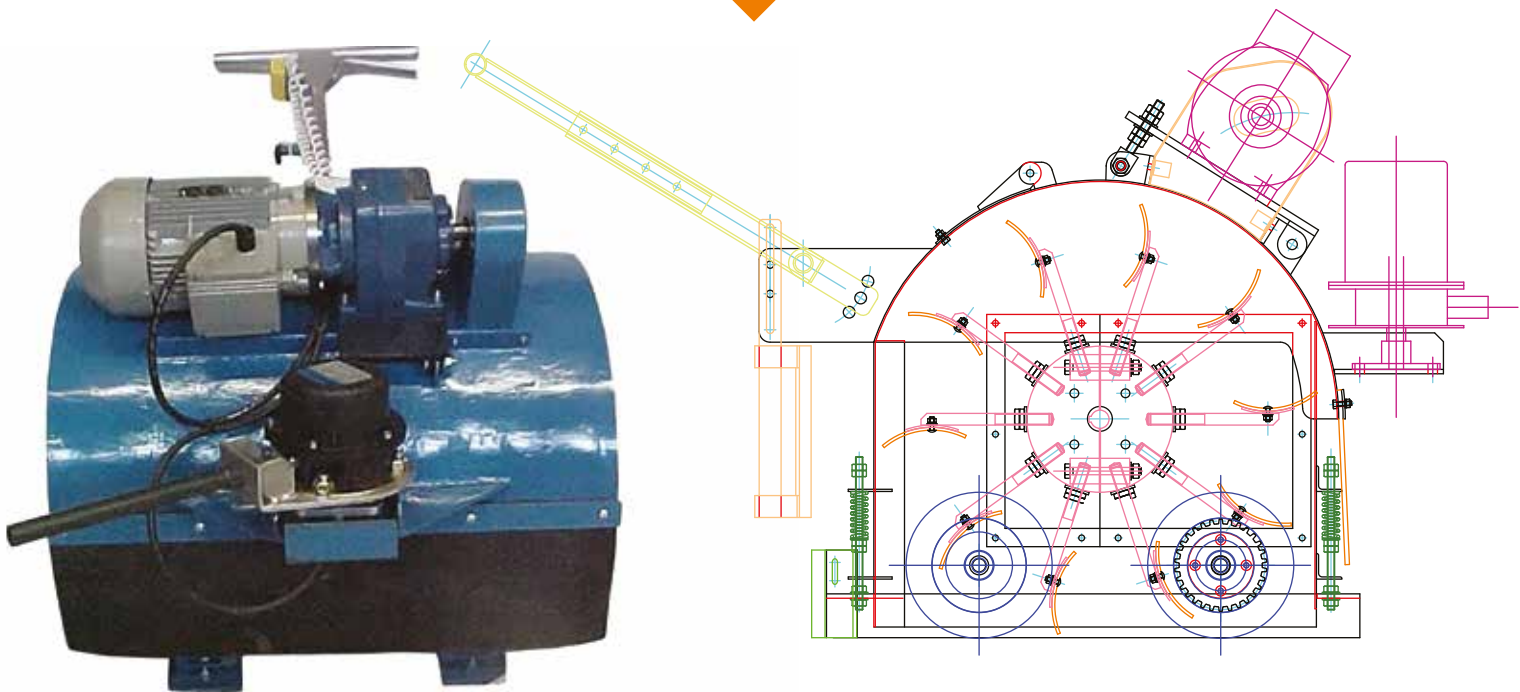


# Floor Maltings Floor Turner

• Design and Build System • Full turnkey projects • Site installation and Commissioning • Site Management • CDM



## About

- The DVE floor turner is designed for use in traditional floor maltings
- The machine is designed to be manoeuvrable to cope with the columns found in traditional floor maltings buildings
- Gentle turning action
- Adjustable controls for operator comfort
- It is designed to comply with the PUWER regulations for portable machinery, running off a 110v supply
- The machines are of robust construction and will cope with deep beds of up to 250mm
- The machine incorporates a cable handling facility to prevent cable wear and entanglement

## Benefits

- Bespoke construction
- Robust design
- Ergonomic design for operator comfort
- Safety starter switch to prevent accidental starting
- Automatic drive tensioning

The UK's leading supplier of malting process plant and equipment.



Bespoke design, build and installation process solutions for the malting industry.

Don Valley Engineering Co. Ltd are the UK's leading supplier of all types of malting plant and equipment, having provided some of the largest plants in operation in the British Isles.

Our equipment is robustly designed for long term trouble free operation, offering excellent returns on your investment. Our extensive experience in the industry means we understand your requirements from hygiene, through to efficiency and asset management.



## PROCESS SOLUTIONS FOR THE MALTING INDUSTRY



Call us!  
01302 881188



Email us:  
[info@donvalleyeng.com](mailto:info@donvalleyeng.com)



Visit our website:  
[donvalleyeng.com](http://donvalleyeng.com)



Find us:  
Doncaster, South Yorkshire,  
DN3 1QR

